

DEFENDER SERIES

D350XR FUEL CELL

LIGHTWEIGHT POWER!



FEATURES

- RELIABLE, LIGHTWEIGHT POWER THAT MAKES THE IMPOSSIBLE POSSIBLE
- PROVEN IN UAV AND UGV APPLICATIONS AS A SIGNIFICANT RANGE EXTENDER
- SPECIFICALLY DESIGNED TO BE TOLERANT TO FINE DUST AND RAIN
- POWERED BY COMMERCIALY AVAILABLE PROPANE FUEL — AVAILABLE WORLDWIDE
- SHOCK RESISTANT

PROVEN, RELIABLE POWER

The D350XR was specifically developed for those applications demanding lightweight and rugged power systems. The unit has proven itself as the power source of choice for the world's largest military contractors. It's the only lightweight fuel cell in its class that is designed to operate on propane fuel that is readily available anywhere in the world.

The D350XR electrochemically converts propane into electrical power that is used to charge on-board batteries and significantly extend mission duration.



The ideal power source for unmanned vehicles, the D350XR helps UAVs fly longer with a more functional payload and allows UGVs to roam further while performing essential tasks, including IED defeat. The D350XR powers sensors for longer persistent stare tasks and eliminates multiple battery changes that draw attention to hidden units.

APPLICATIONS

- Unmanned Systems
- Autonomous Power Systems



TECHNICAL DATA

POWER

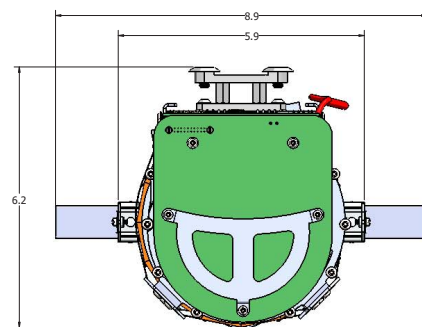
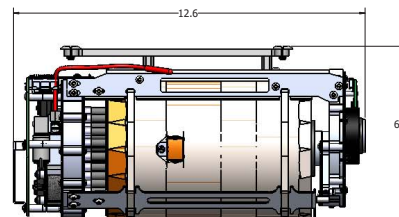
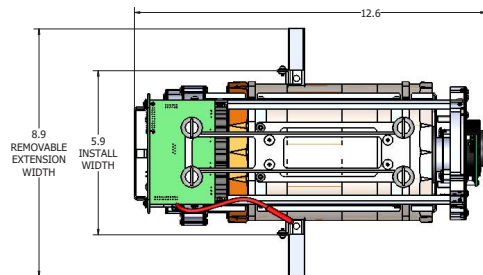
Power Output 350W
Output Voltage 28V

ENVIRONMENTS

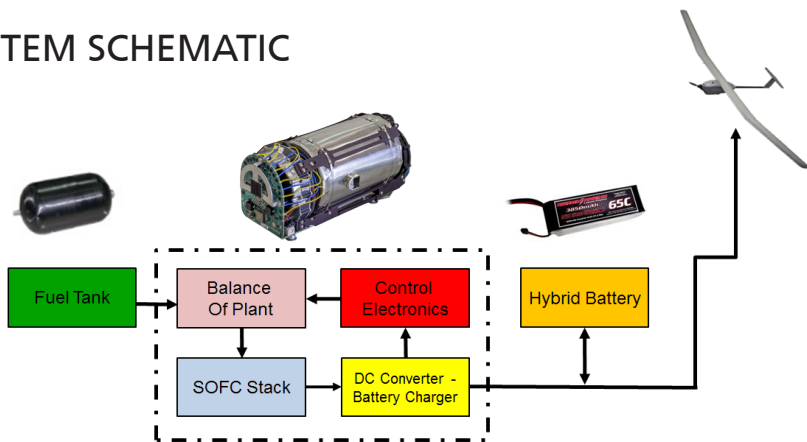
Operating Temperature -20 to 55°C
Storage Temperature -32 to 71°C
Humidity 5%-95%
Operating Altitude Up to 15,000ft
Non-detect Ability 50m
MTBF 20 mission cycles
Shock 100G vertical 40G axial
Rain Tolerant to light rain (1/4" per hour)
Dust and Sand Tolerant to fine dust

OPERATION

Weight 2.9kg
Dimensions 6.2"H x 12.6"L x 5.9"W
Fuel Propane/LPG
Fuel Pressure 15 psi
Fuel Consumption 66-134 g/hour
Air Consumption 2.5 CFM
Exhaust Temperature 500°C
Start-up Time 18 min
Thermal Cycles 20 cycles
Run Hours 200 hours



SYSTEM SCHEMATIC



making a difference

Ultra Electronics
USSI - Fuel Cell Products
5500 South State Road
Ann Arbor
Michigan, 48103
USA
Tel: +1 734-302-7632
Email: sales@ultra-ussi.com
www.ultra-ussi.com
www.ultra-electronics.com

Ultra Electronics reserves the right to vary these specifications without notice.
© Ultra Electronics Limited 2018.
Printed in USA
P/N 90229A-PDS-D350XR Rev 1
ENGINEERING RELEASE